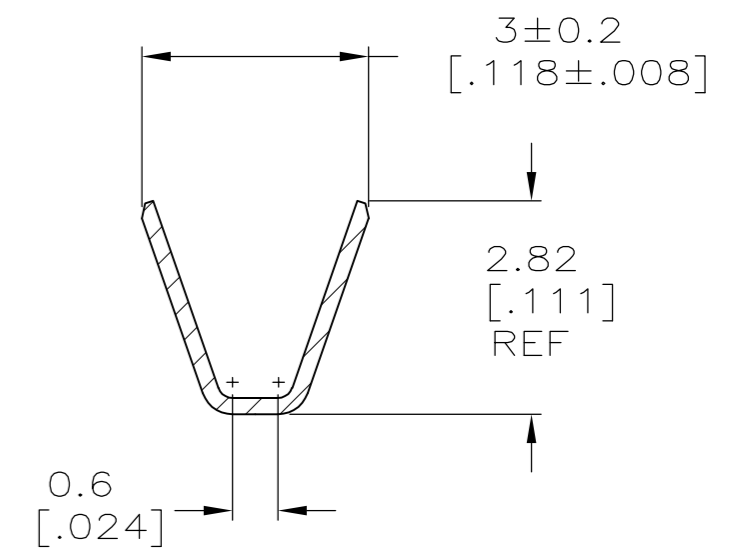
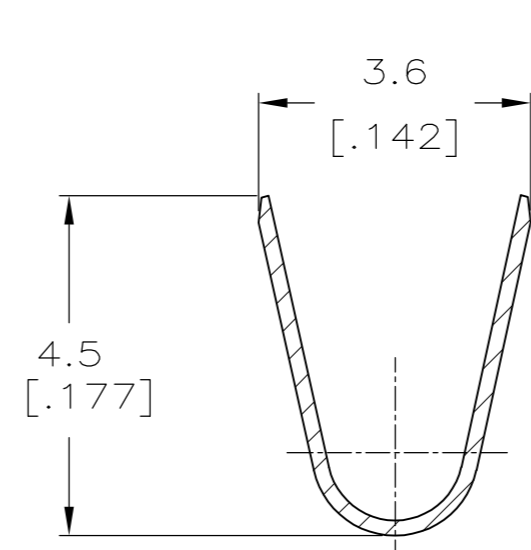
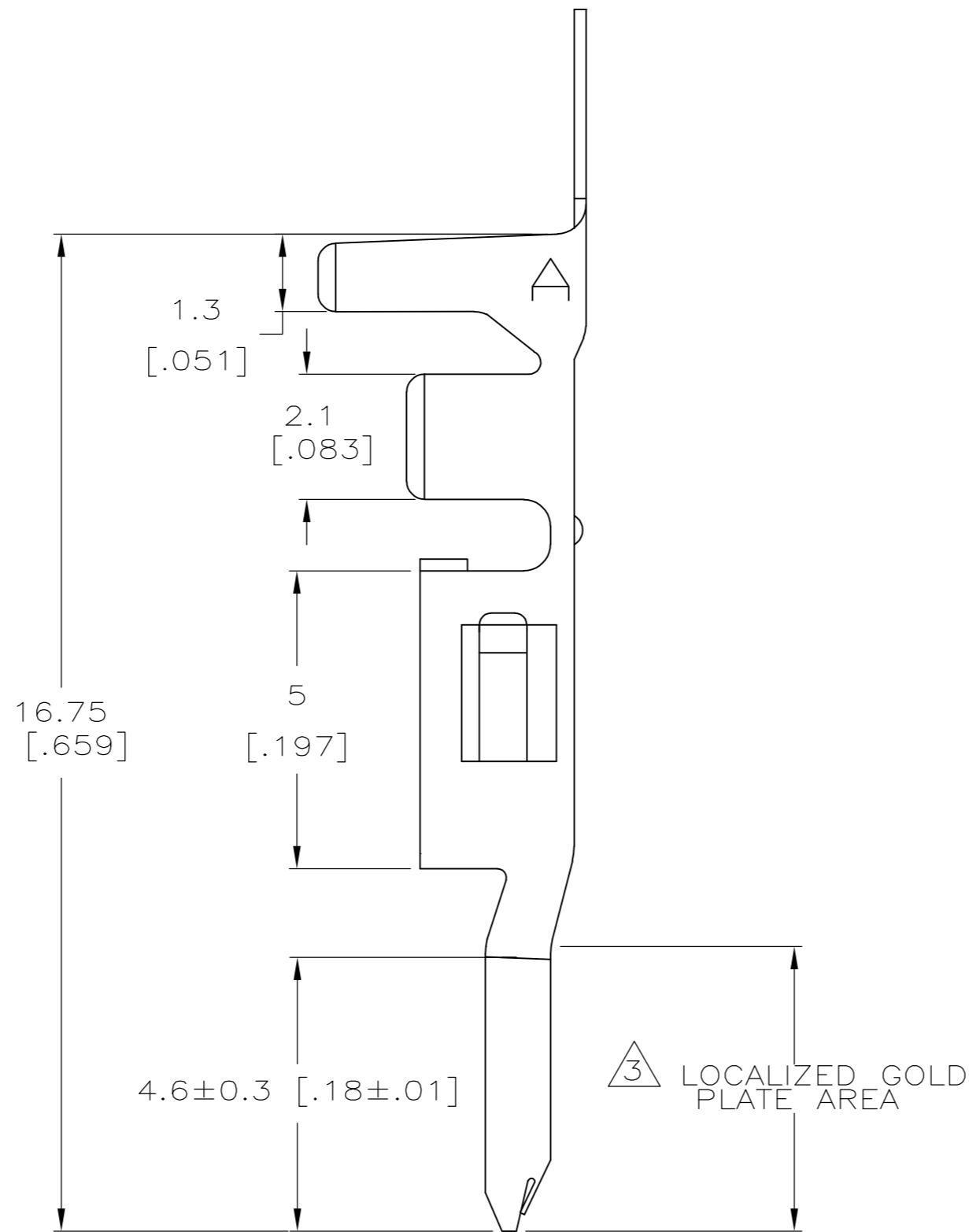
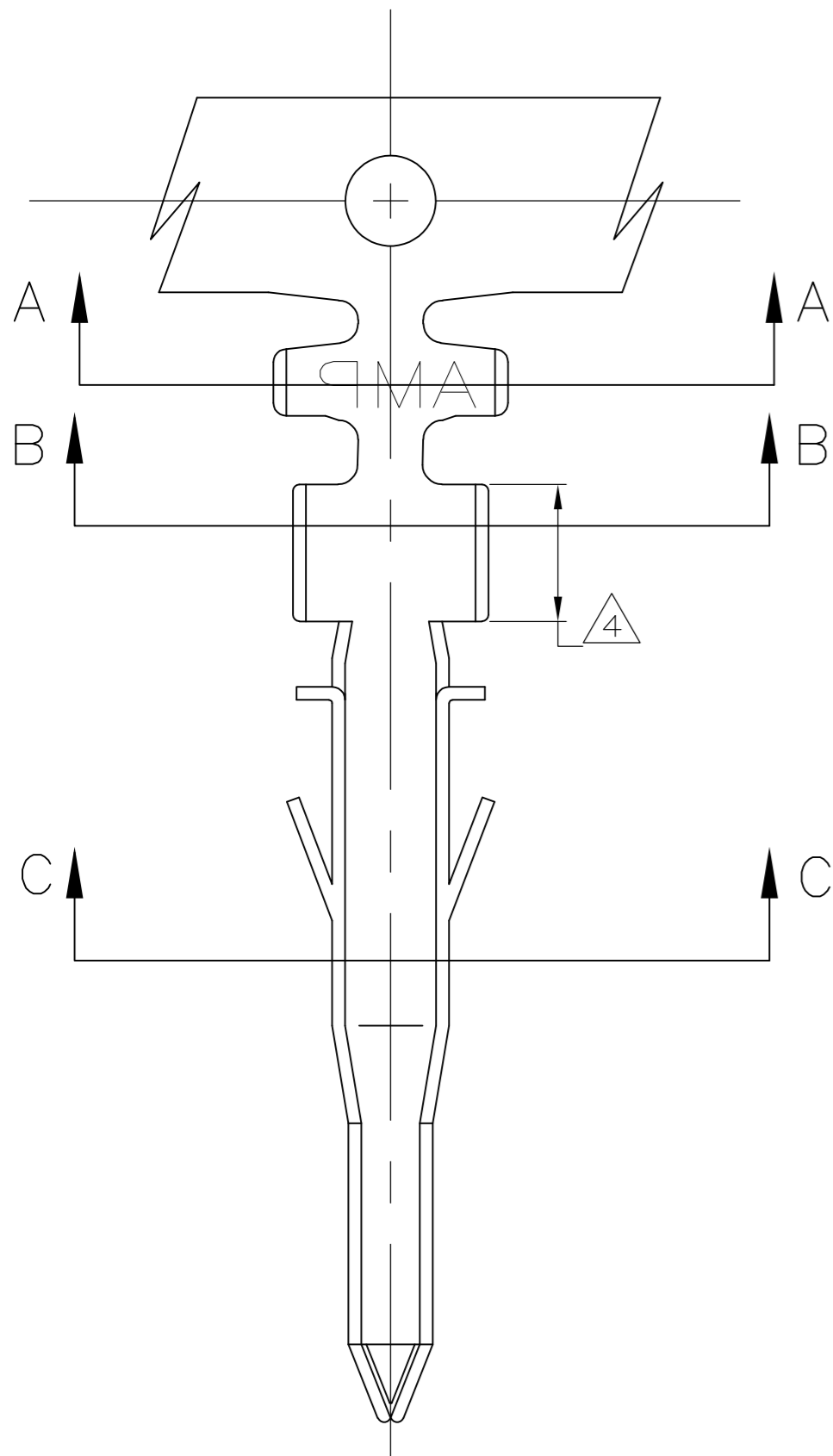


THIS DRAWING IS UNPUBLISHED. RELEASED FOR PUBLICATION
 © COPYRIGHT BY TYCO ELECTRONICS CORPORATION. ALL RIGHTS RESERVED.

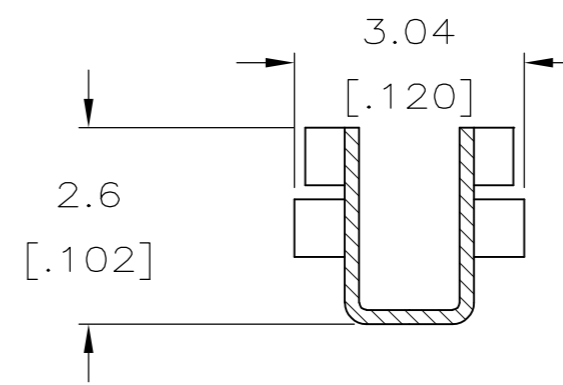
LOC	DIST	REVISIONS			
P	LTR	DESCRIPTION	DATE	DWN	APVD
CM	00				
	C	REVISED PER ECO-08-006965	24MAR08	HMR	CC

1. WIRE RANGE: 1.31mm² (16 AWG)
2. INSULATION RANGE: 3.10 [.122] DIA.
3. FINISH: 0.76µm [.000030 in] GOLD IN LOCALIZED GOLD PLATE AREA OVER 1.27µm [.00005 in] MINIMUM NICKEL.
4. FINISH: 2.54µm [.00001 in] MINIMUM TIN IN LOCALIZED TIN PLATE AREA.



SECTION A-A

SECTION B-B



3 4	PHOS. BRZ.	1586054-4
PRE-TIN	PHOS. BRZ.	1586054-3
3 4	BRASS	1586054-2
PRE-TIN	BRASS	1586054-1
FINISH	MATERIAL	PART NO.

METRIC

DIMENSIONS:		TOLERANCES UNLESS OTHERWISE SPECIFIED:		DWN		Tyco Electronics		Tyco Electronics Corporation		
mm	[INCHES]	0 PLC	±	S. HOOVER	17-NOV-2004	NAME	SIZE	CAGE CODE	DRAWING NO	RESTRICTED TO
		1 PLC	±	CHK	17-NOV-2004	D. COLEY	A2	00779	C=1586054	
		2 PLC	± 0.13 [.005]	APVD	17-NOV-2004	D. COLEY				
		3 PLC	±	PRODUCT SPEC						
		4 PLC	±	APPLICATION SPEC						
		ANGLES	± 0°30'	WEIGHT						
		FINISH		CUSTOMER DRAWING						
				SCALE	10:1	SHEET	1	OF	1	REV
										C

1586054

A